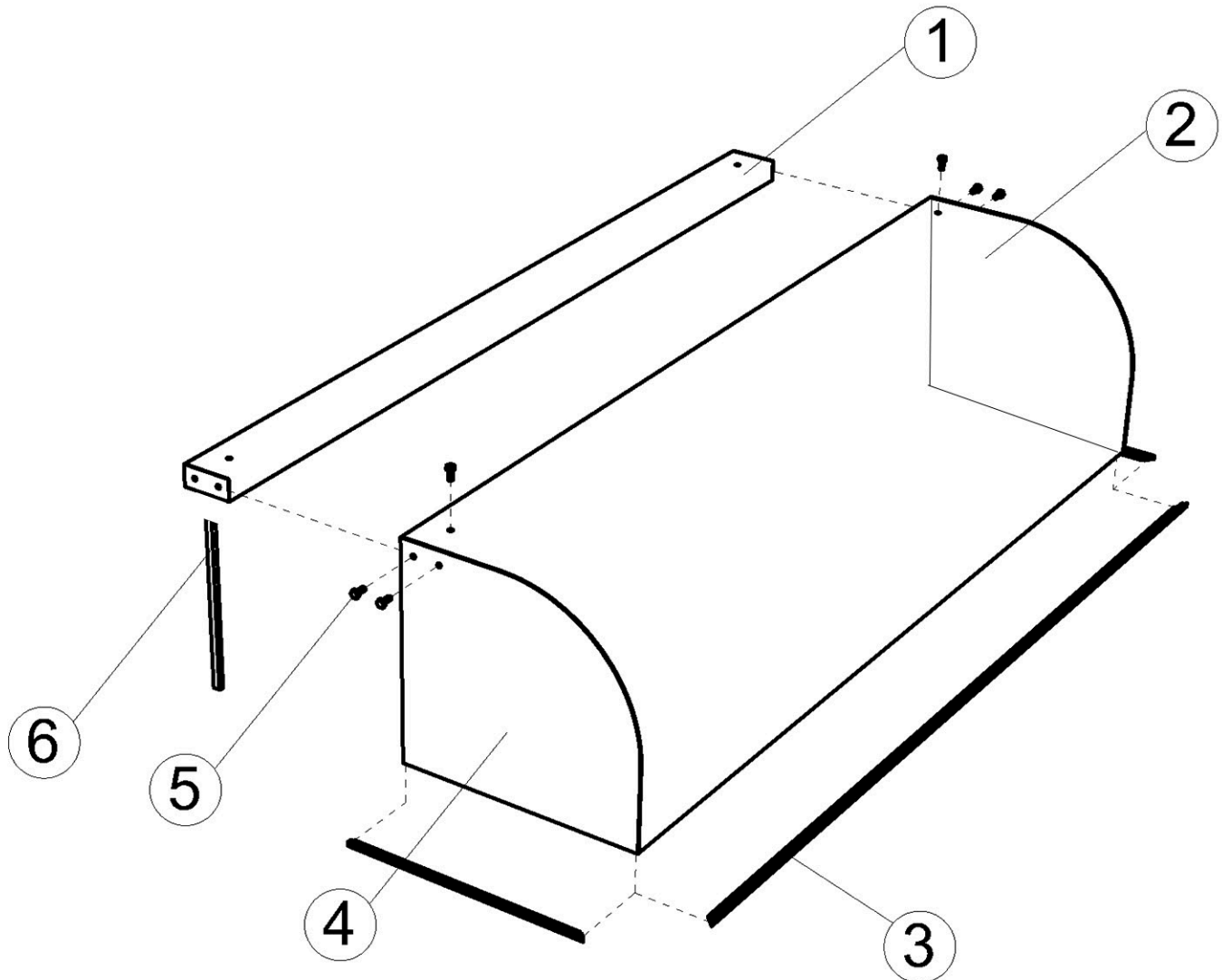


CURVED GLASS SNEEZE GUARD

INSTALLATION INSTRUCTIONS



KIT PARTS

- 1- Cover and Lamp
- 2- Curved Glass
- 3- Aluminium "F" channel
- 4- Side glass
- 5- Screws
- 6- Cable Cover

TOOLS

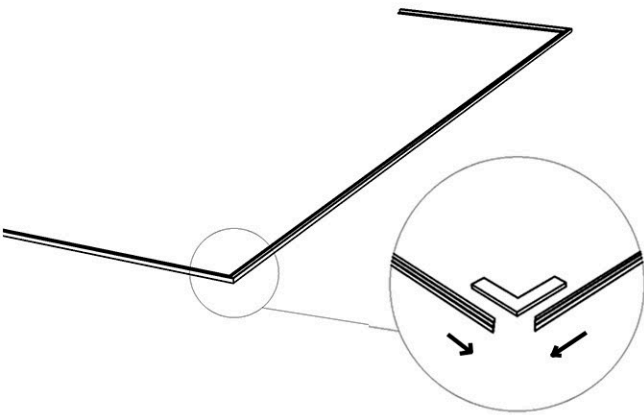
- A- Try Square
- B- Silicone
- * 2 Persons Recommended

CURVED GLASS SNEEZE GUARD

INSTALLATION INSTRUCTIONS

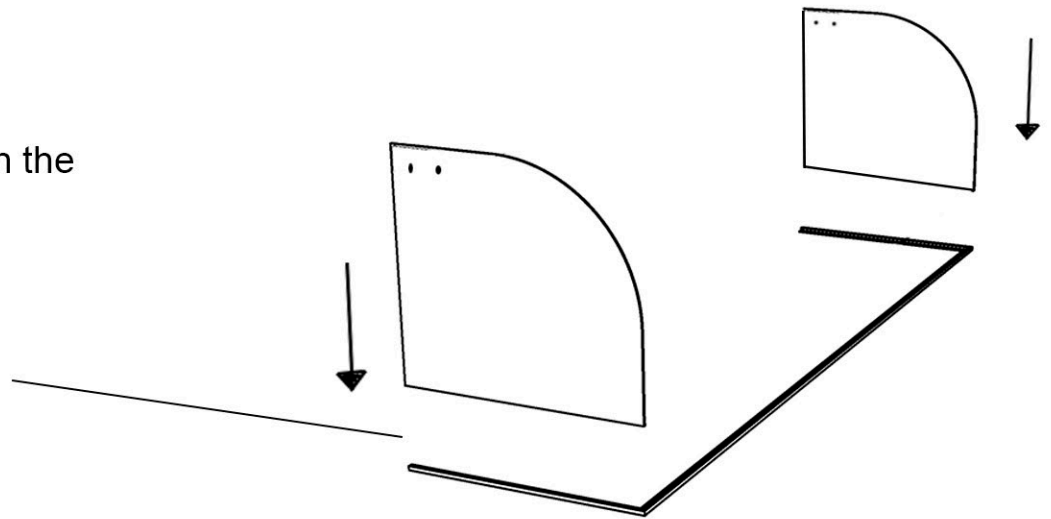
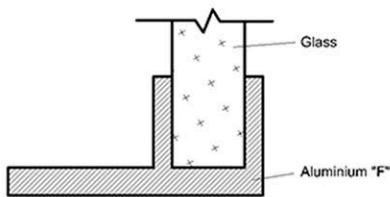
STEP 1

- Remove the film that protects the adhesive tape
- Stack the adhesive part down.
- Then assemble the three parts using Try Square.



STEP 2

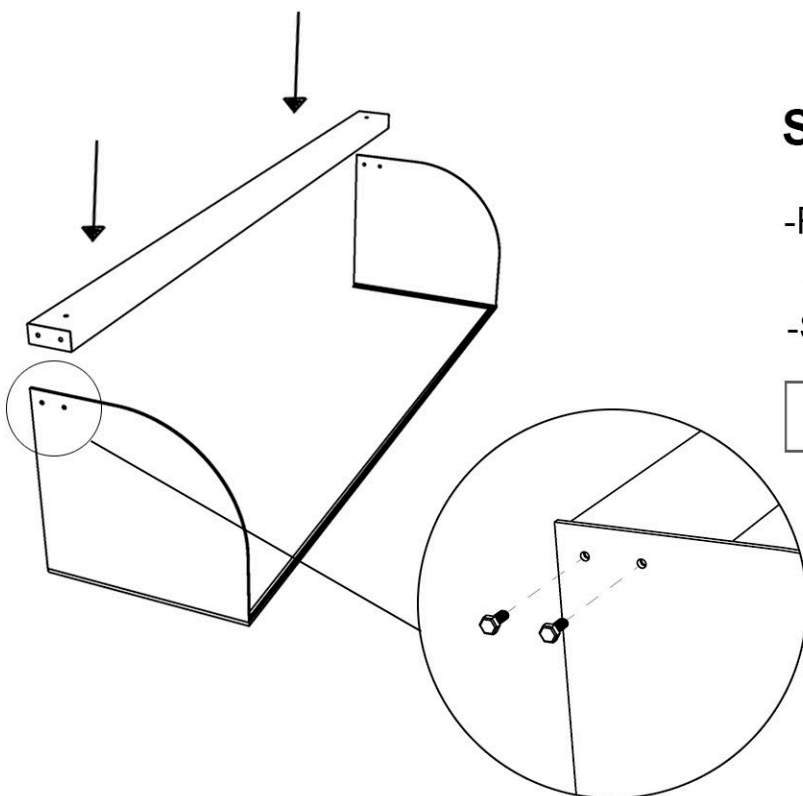
- Mount the side glass on the aluminum "F" channel.



STEP 3

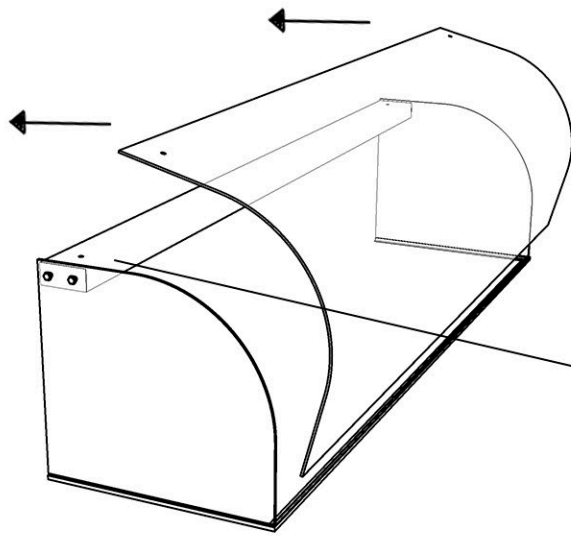
- Place the Cover and Lamp in the side glasses.
- Screw to glass

ADJUST BY HAND ONLY



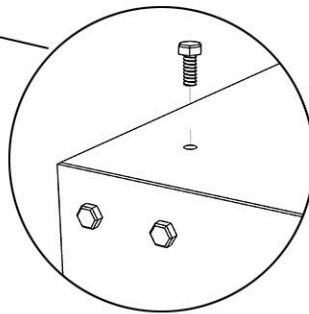
CURVED GLASS SNEEZE GUARD

INSTALLATION INSTRUCTIONS



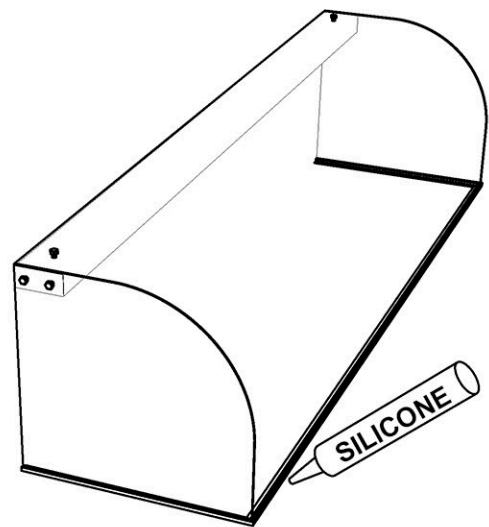
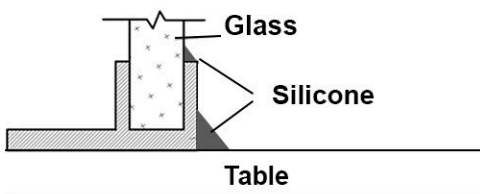
STEP 4

- Embed lower part of the glass in Aluminum "F".
- Embed glass top part in cabinet holes for light and screw.



STEP 5

- Secure with silicone "F" channel to machine and "F" channel to glass.



STEP 6

- Glue the cable cover against the glass on the surface with glue.
- You can choose right or left hand.
- Pass the cable inside the cable cover.

